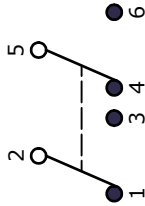


PC MOUNTING

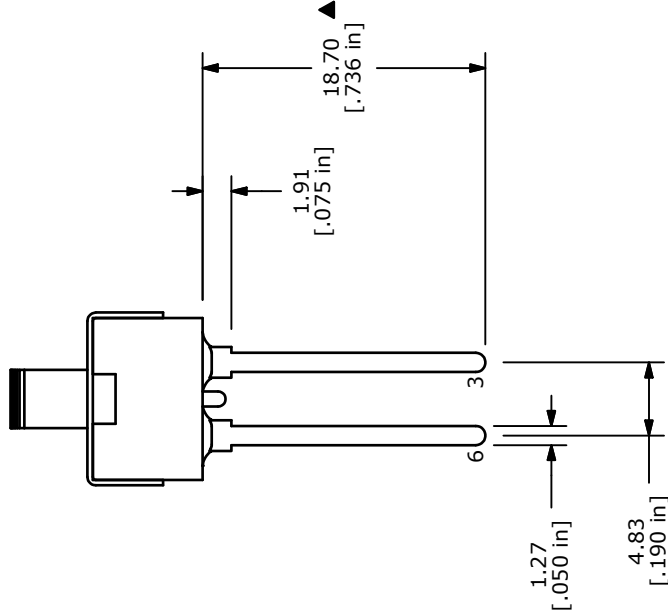
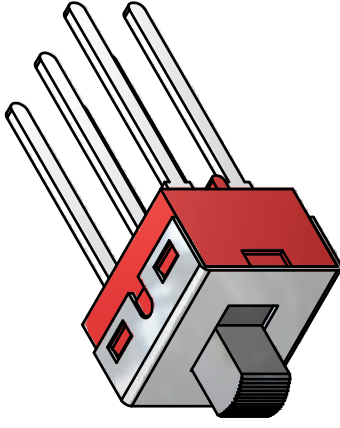
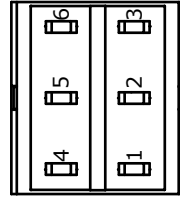
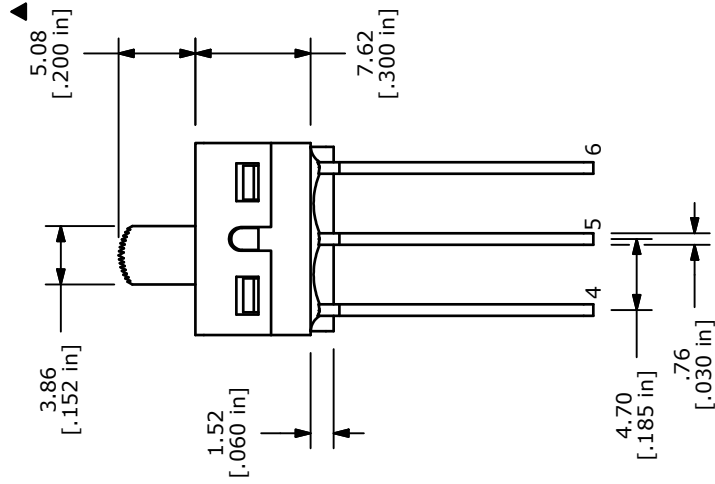
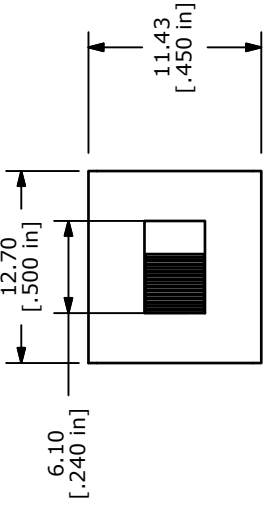
POS. 1	POS. 2	POS. 3
ON	NONE	ON
2-1, 5-4	N/A	2-3, 5-6



CIRCUIT: DPDT

NOTE:

- ALL DIMENSIONS IN MM [INCH]
- GENERAL TOLERANCE: X.X=±0.4
X.XX=±0.25
- TERMINAL NUMBERS FOR REF ONLY
- PLATING MATERIAL: SILVER
- CONTACT RATING: 5A@120VAC or 28VDC
2A@250VAC
- TRAVEL: 2.16mm
- ELECTRIC LIFE: 30,000 ACTUATIONS AT FULL LOAD.
- CONTACT RESISTANCE: 10 milli-OHMS TYP.
- INSULATION RESISTANCE: 1,000 MEGA-OHM MIN.
- DIELECTRIC STRENGTH: 1,000 V RMS @SEA LEVEL.
- OPERATING TEMP.: -30°C to 85°C
- ▲ DENOTES CRITICAL PARAMETER.
- 2002/95/EC (ROHS) COMPLIANT



TITLE 500SDP1S1M51QEA

B	19572	DRAWING UPDATE / CLEAN-UP	1/7/11	BGL
REV	PCR NO	DESCRIPTION	DATE	BY

THE INFORMATION CONTAINED IN THIS DOCUMENT IS PROPRIETARY TO E-SWITCH AND IS NOT TO BE COPIED OR TRANSFERRED

SCALE	2:1	DATE	1/7/2011	DR	BGL	DWG	T521022	REV	B
-------	-----	------	----------	----	-----	-----	---------	-----	---